

EM2HP

- Surveillance / Edge AI • Factory Automation • Smart Retail
- Military/ Defense • Gaming • Healthcare



microSD Card | SD 6.1

addlink EM2HP MicroSD card uses an industrial-grade controller is equipped with Kioxia BIC55 pSLC NAND deliver better endurance (up to 30K P/E Cycles) and higher performance. addlink EM2HP meets UHS Speed Class 3 (U3) and Video Speed Class 30 (V30) standards for 4K Ultra HD and full HD video recording playback, features LDPC ECC, wear leveling, and Auto-read refresh features to ensure data accuracy and integrity. The ES2H MicroSD card is Automotive Grade (AEC-Q100 Grade 3) compliant and is waterproof (IPx7), shockproof, x-ray proof, and temperature proof for extreme conditions. They are available in 16GB to 128GB capacities and come with addlink's Toolbox software for easy management and real-time monitoring. It is an ideal solution for surveillance, edge AI, smart retail, military, gaming, healthcare, and automation applications.

Specifications

Form Factor / Interface	MicroSD / SD 6.1
Connector	SD 8 pin
Interface / SPEC	UHS-I, A2, V30, U3
Flash	pSLC
Capacity	16~128GB
Sequential Read/Write (up to)	R: 95 MB/s, W: 85 MB/s
Supply (V)	2.7V~3.6V
Max. Endurance (W/E)	30K
Max. Read/Write Current	400/400mA
Max. Standby Current	1mA
Waterproof	JIS IPX7
AEC-Q100	Yes
IATF16949	Yes
ESD	Contact: +/- 4KV, Air: +/- 8KV
Shock / Vibration	1500G0-P/0.5ms duration, 20Hz~80Hz/1.52mm 80Hz~2000Hz/20G
Operating Temperature	Standard: -25°C to 85°C, Industrial: -40°C to 85°C
MTBF	3M hrs

Features

- High Endurance pSLC Flash Technology (up to 30K P/E Cycles)
- Automotive Grade Compliance (AEC-Q100 Grade 3)
- Dust/Water proof (IP67), shock proof, X-Ray proof
- Meet UHS speed Class 3 (U3) and Video Speed Class 30 (V30) for 4K Ultra HD video recording
- Meet A2 rated for Android app performance
- Password Protection of cards*
- Support CPRM (Content Protection for Recordable Media)*
- Wide-temperature support: -40°C to 85°C

* It's optional function and support by specific firmware



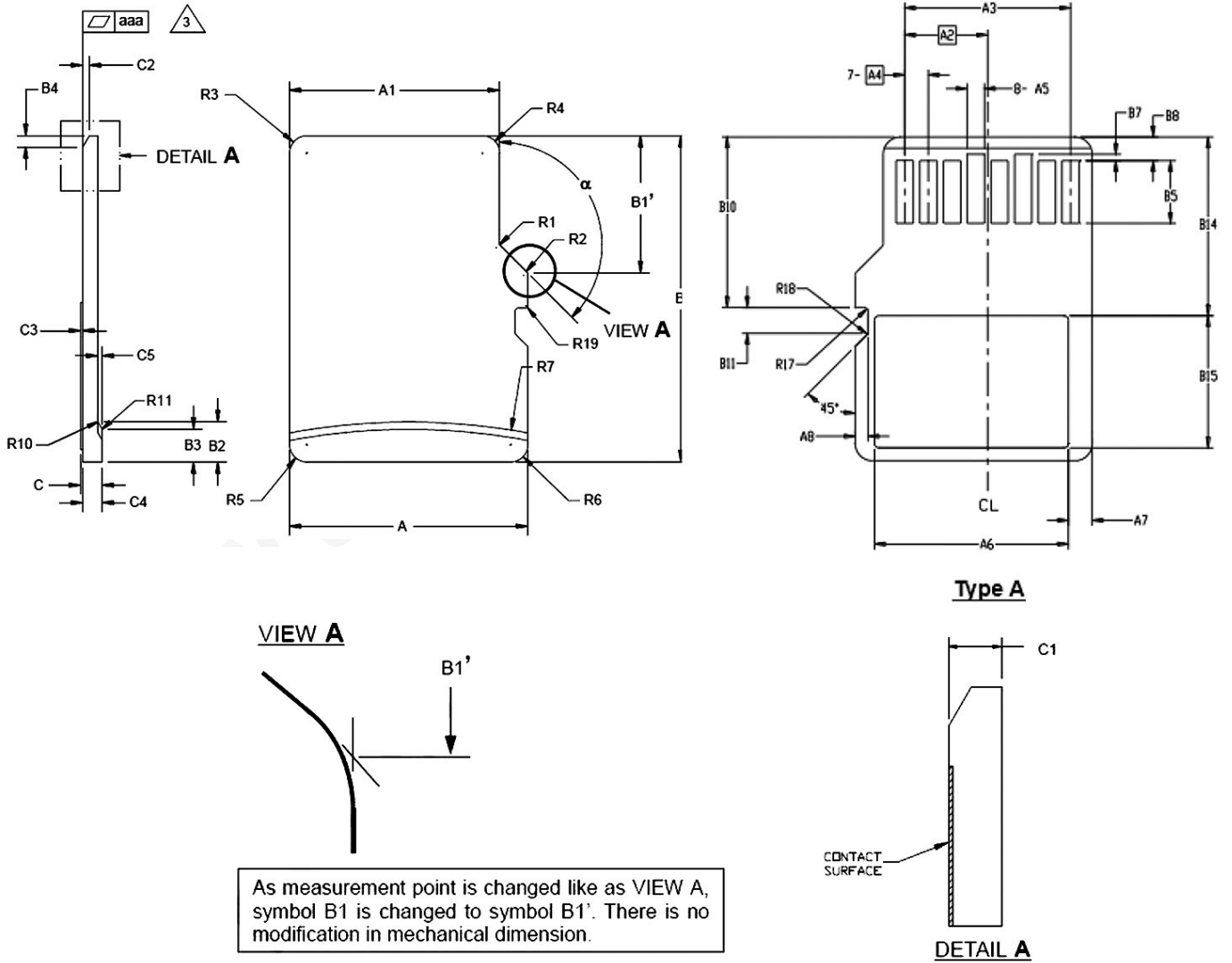
Write Protect	CPRM	Password Protection	IPX7	AEC-Q100	ToolBox	Auto Read Refresh	Sudden Power off Protection
○	○	○	●	●	●	●	○

● Default Implemented ○ On Request - Not Available



Dimensions

- 11.0 mm (L) x 15.0 mm (W) x 1.0 mm (H)



Ordering Information

Capacity	Commercial (-25°C~85°C)	Industrial (-40°C~+85°C)
16GB	ad16GBEM2HPG	ad16GBEM2HPA
32GB	ad32GBEM2HPG	ad32GBEM2HPA
64GB	ad64GBEM2HPG	ad64GBEM2HPA
128GB	ad128GBEM2HPG	ad128GBEM2HPA

