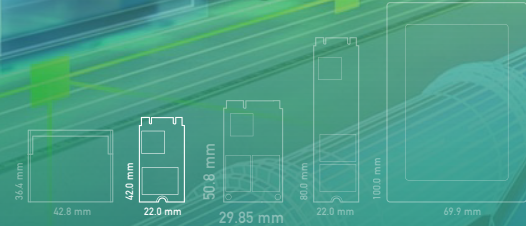


E24A

- Factory Automation • Smart Retail • Military / Defense
- Gaming • Healthcare



SATA III 6Gb/s | M.2 2242

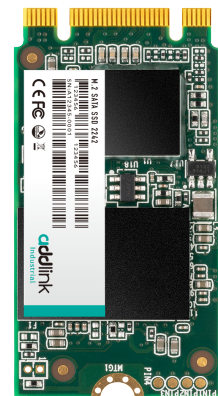
addlink E24A M.2 2242 SATAIII SSDs use industrial grade controller and is equipped with 112 Layer 3D TLC (BICS5) NAND flash to deliver low power consumption and high-performance SSD, making it the best industrial storage solution for embedded system. addlink E24A supports the latest LDPC ECC, advanced wear leveling, End-to-End data protection, and over-provision technology. It also optional support three low power consumption modes to ensure SSD can extended battery life efficiently. The E24A SSD is available in 64GB to 512GB capacities and comes with addlink's Toolbox software for easy management and real-time monitoring. It is an ideal solution for factory automation, smart retail, military, gaming and healthcare applications.

Features

- Support DEVSLP Mode*
 - Low Power Consumption (Max. Read/Write <1.2W)
 - LDPC with RAID ECC
 - Thermal Protection Mechanism
 - SMART Toolbox for SSD health monitoring
 - End to end data protection
 - Wide-temperature support: -40°C to 85°C
- * It's optional function and support by specific firmware

Specifications

Form Factor / Interface	M.2 2242/ SATA III
Connector	M.2 with B+M Key SATA Pin-out
Flash	3D TLC
Capacity	64GB~512GB
Sequential Read/Write (up to)	R: 550 MB/s, W: 495 MB/s
Random Read/Write (up to)	R: 70k IOPS, W: 85k IOPS
Supply (V)	3.3V + -5%
Max. Endurance	355 TBW (512GB)
Max. Power Consumption (R/W)	1.075/1.18W
Max. Idle Power Consumption	0.2W
Shock / Vibration	1500G0-P/0.5ms duration, 20Hz~80Hz/1.52mm 80Hz~2000Hz/20G
Operating Humidity	5%-95% RH, non-condensing
Operating Temperature	Standard: 0°C to 70°C, Industrial: -40°C to 85°C
MTBF	2M hrs
Technologies	LDPC ECC, Thermal Throttling, SLC Cache, Wear Leveling, S.M.A.R.T. End-to-end data protection, Bad block management, TRIM command



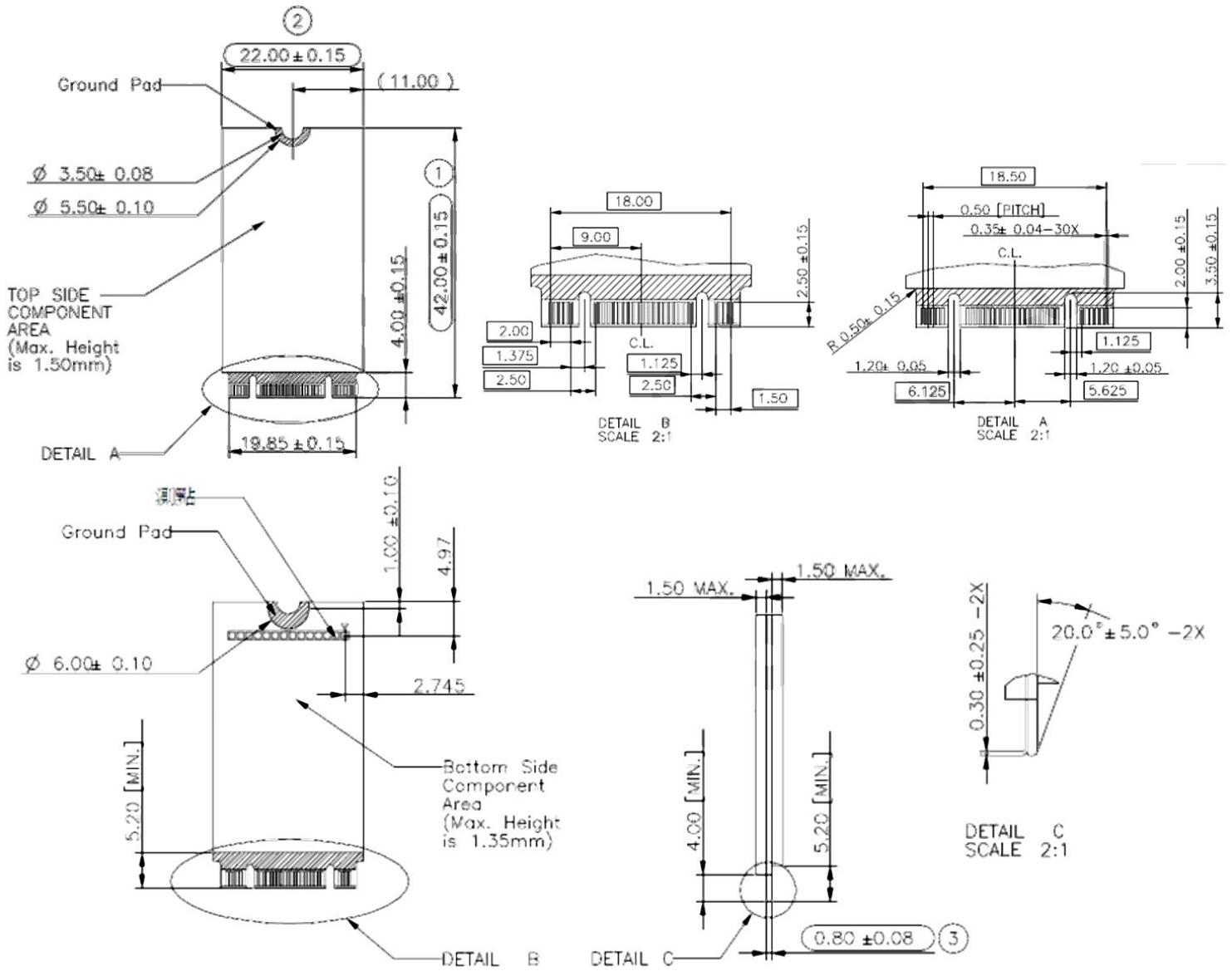
Write Protect	Secure Erase	Destroy Erase	DEVSLP Mode	ToolBox	Advance Thermal Solution
○	●	○	●	●	○

● Default Implemented ○ On Request - Not Available



Dimensions

• 42.00mm (L) x 22mm (W) x 1.35 mm (H)



Ordering Information

Capacity	Commercial (0°C~70°C)	Industrial (-40°C~+85°C)
64GB	ad64GBE24ATC	ad64GBE24ATA
128GB	ad128GBE24ATC	ad128GBE24ATA
256GB	ad256GBE24ATC	ad256GBE24ATA
512GB	ad512GBE24ATC	ad512GBE24ATA

