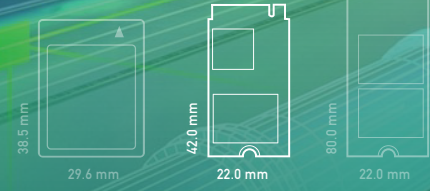


# E34D

- Surveillance / Edge AI • Factory Automation • Smart Retail
- Gaming • Healthcare



## PCIe Gen3x4 | M.2 2242

addlink E34D M.2 2242 PCIe Gen3x4 SSDs use industrial grade controller and are equipped with Kioxia NAND flash and deliver performance with sequential read/write speed of up to 2450 /1900 MB per second, making it the best industrial storage solution. addlink E34D is compliant with TCG OPAL for data security. It also supports the latest LDPC ECC, advanced wear leveling, end-to-end data protection, and over-provision technology to ensure data accuracy and integrity for a longer SSD lifetime. The E34D SSD is available in 128GB to 2048GB capacities and comes with addlink's Toolbox software for easy management and real-time monitoring. It is an ideal solution for edge AI, factory automation, smart retail, surveillance, gaming and healthcare applications.

## Features

- AES-256-bit Encryption & TCG-OPAL 2.0 Compliant\*
- Low Power Consumption (Max. Read/Write Power Consumption <3.5W)
- LDPC with RAID ECC
- Thermal Protection Mechanism
- SMART Toolbox for SSD health monitoring
- End to end data protection
- Wide-temperature support: -40°C to 85°C

\* It's optional function and support by specific firmware

## Specifications

Form Factor / Interface	M.2 2242 / PCIe Gen3x4
Connector	M.2 M key with PCIe pin out
Flash	3D TLC
Capacity	128GB~2048GB
Sequential Read/Write (up to)	R: 2500 MB/s, W: 1800 MB/s
Random Read/Write (up to)	R: 230k IOPS, W: 390k IOPS
Supply (V)	3.3V + -5%
Max. Endurance	2,400 TBW (2048GB)
Max. Power Consumption (R/W)	3.5/3.4W
Max. Idle Power Consumption	1.5W
Shock / Vibration	1500G0-P/0.5ms duration, 20Hz~80Hz/1.52mm80Hz~2000Hz/20G
Operating Humidity	5%-95% RH, non-condensing
Operating Temperature	Standard: 0°C to 70°C, Industrial: -40°C to 85°C
MTBF	2M hrs
Security (Optional)	TCG OPAL 2.0 Compliant
Technologies	LDPC ECC, Thermal Throttling, SLC Cache, Wear Leveling, S.M.A.R.T. Bad block management, End to End data protection TRIM command.



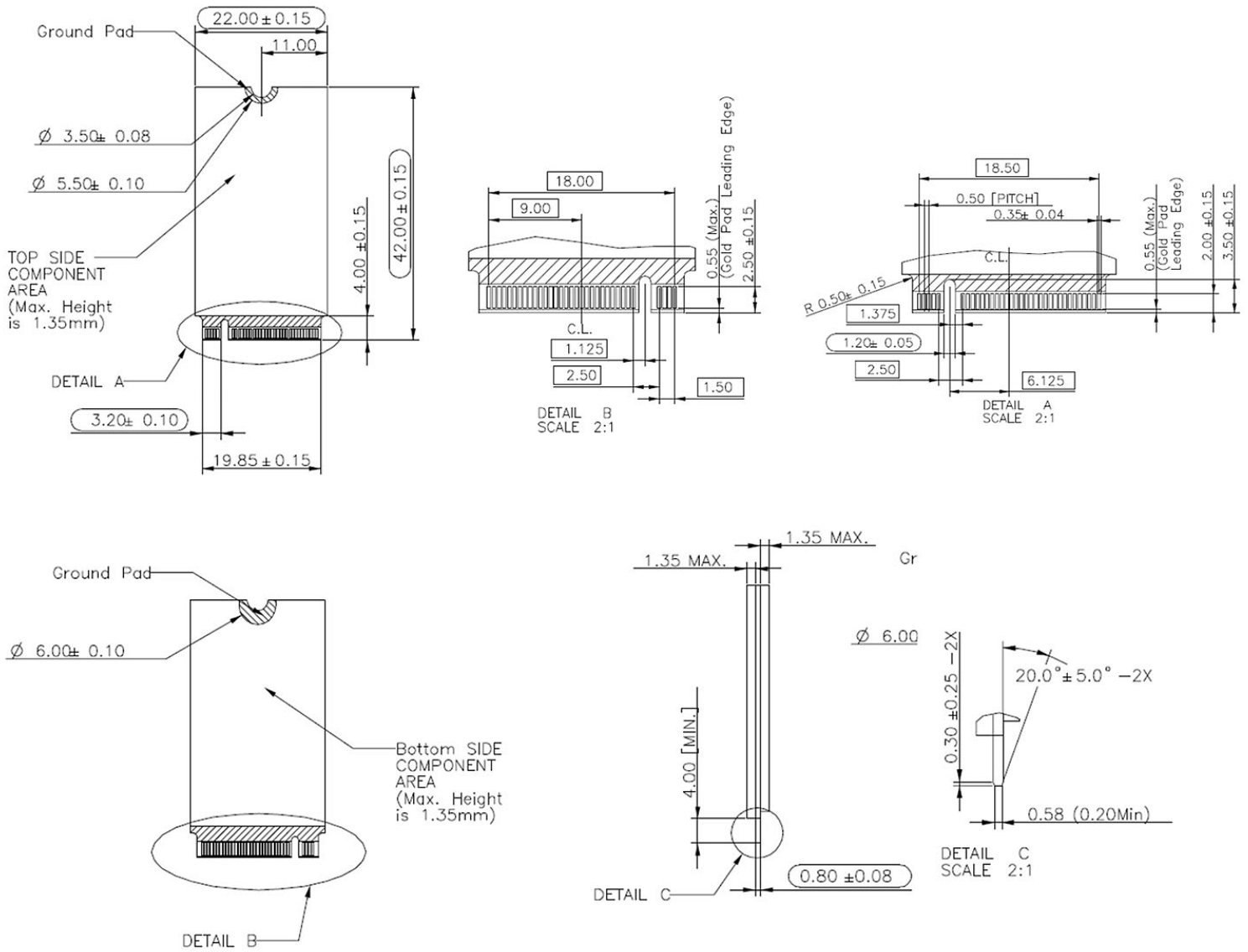
TCG OPAL	Secure Erase	Crypto Erase	ToolBox	Advance Thermal Solution
○	●	○	●	○

● Default Implemented ○ On Request - Not Available



# Dimensions

- 42.00mm (L) x 22.00 mm (W) x 1.35mm (H)



# Ordering Information

Capacity	Commercial (0°C~70°C)	Industrial (-40°C~+85°C)
128GB	ad128GBE34DTC	ad128GBE34DTA
256GB	ad256GBE34DTC	ad256GBE34DTA
512GB	ad512GBE34DTC	ad512GBE34DTA
1024GB	ad1024GBE34DTC	ad1024GBE34DTA
2048GB	ad2048GBE34DTC	ad2048GBE34DTA

