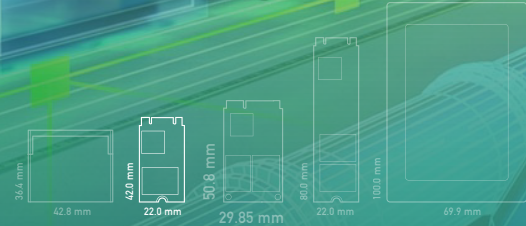


# E24CP

- Surveillance / Edge AI • Factory Automation • Smart Retail
- Military / Defense • Gaming • Healthcare



## SATA III 6Gb/s | M.2 2242

addlink E24CP M.2 2242 SATAIII SSDs use industrial grade controller and is equipped with Kioxia B1C55 pSLC NAND deliver better endurance (up to 13,000 TBW) and higher performance SSD, making it the best industrial storage solution for embedded system. addlink E24CP is compliant with TCG OPAL for data security and supports the latest LDPC ECC, advanced wear leveling, and over-provision technology. It also optionally supports three low power consumption modes to ensure SSD can extend battery life efficiently. The E24CP SSD is available in 32GB to 256GB capacities and comes with addlink's Toolbox software for easy management and real-time monitoring. It is an ideal solution for surveillance, edge AI, factory automation, smart retail, military, gaming and healthcare applications.

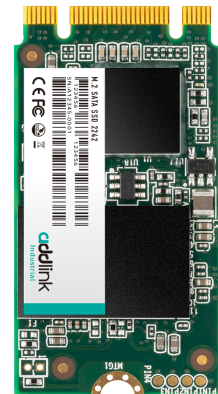
## Specifications

Form Factor / Interface	M.2 2242 / SATA III
Connector	M.2 with B+M Key SATA Pin-out
Flash	pSLC
Capacity	32GB~256GB
Sequential Read/Write (up to)	R: 550 MB/s, W: 510 MB/s
Random Read/Write (up to)	R: 49.5K IOPS, W: 78.5k IOPS
Supply (V)	3.3V + -5%
Max. Endurance	13,000 TBW (256GB)
Max. Power Consumption (R/W)	1.32/1.2W
Max. Idle Power Consumption	0.175W
Shock / Vibration	1500G0-P/0.5ms duration, 20Hz~80Hz/1.52mm 80Hz~2000Hz/20G
Operating Humidity	5%-95% RH, non-condensing
Operating Temperature	Standard: 0°C to 70°C, Industrial: -40°C to 85°C
MTBF	3M hrs
Technologies	LDPC ECC, Thermal Throttling, SLC Cache, Wear Leveling, Bad block management, TRIM command, S.M.A.R.T.

## Features

- High Endurance pSLC Flash Technology (up to 13,000TBW -256GB)
- AES-256-bit Encryption & TCG-OPAL 2.0 Compliant\*
- Support DEVSLP Mode\*
- Low Power Consumption (Max. Read/Write <1.32W)
- LDPC with RAID ECC
- Thermal Protection Mechanism
- SMART Toolbox for SSD health monitoring
- Wide-temperature support: -40°C to 85°C

\* It's optional function and support by specific firmware



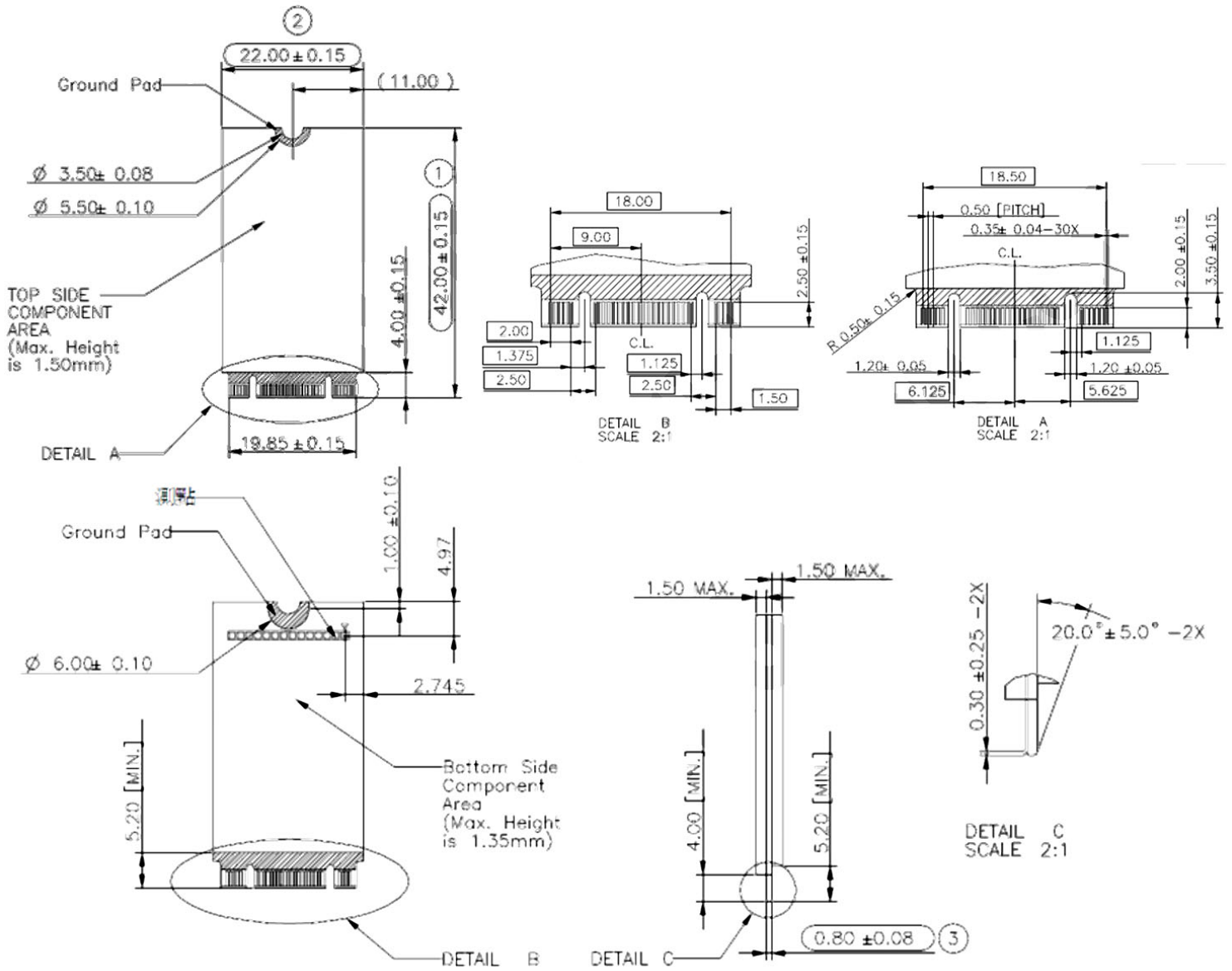
TCG OPAL	Write Protect	Secure Erase	Crypto Erase	Destroy Erase	DEVSLP Mode	ToolBox	Advantage Thermal Solution
○	○	●	○	○	○	●	○

● Default Implemented ○ On Request - Not Available



# Dimensions

• 42.00mm (L) x 22mm (W) x 1.35 mm (H)



# Ordering Information

Capacity	Commercial (0°C~70°C)	Industrial (-40°C~+85°C)
32GB	ad32GBE24CPC	ad32GBE24CPA
64GB	ad64GBE24CPC	ad64GBE24CPA
128GB	ad128GBE24CPC	ad128GBE24CPA
256GB	ad256GBE24CPC	ad256GBE24CPA

