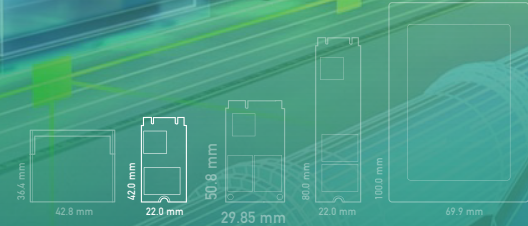


E24B

- Surveillance / Edge AI • Factory Automation • Smart Retail
- Military / Defense • Healthcare



SATA III 6Gb/s | M.2 2242

addlink E25B M.2 2242 SATAIII SSDs use industrial grade controller and is equipped with 112 Layer 3D TLC (BICS5) NAND flash to deliver low power consumption and high-performance SSD, making it the best industrial storage solution for embedded system. addlink E25B is compliant with TCG OPAL for data security. It also supports the latest LDPC ECC, advanced wear leveling, end-to-end data protection, power failure protection, and over-provision technology to ensure data accuracy and integrity for a longer SSD lifetime. The E25B SSD is available in 240GB to 480GB capacities and comes with addlink's Toolbox software for easy management and real-time monitoring. It is an ideal solution for surveillance, edge AI, factory automation, smart retail, military, and healthcare applications.

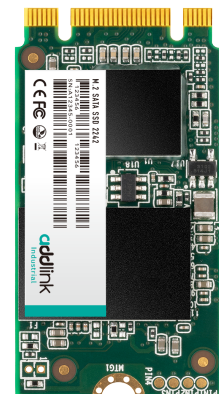
Specifications

Form Factor / Interface	M.2 2242 / SATA III
Connector	M.2 with B+M Key SATA Pin-out
DRAM / Flash	DDR4 / 3D TLC
Capacity	240GB~480GB
Sequential Read/Write (up to)	R: 550 MB/s, W: 340 MB/s
Random Read/Write (up to)	R: 91k IOPS, W: 85k IOPS
Supply (V)	3.3V + -5%
Max. Endurance	659 TBW (480GB)
Max. Power Consumption (R/W)	1.9/2.4W
Max. Idle Power Consumption	1.2W
Shock / Vibration	1500G0-P/0.5ms duration, 20Hz~80Hz/1.52mm 80Hz~2000Hz/20G
Operating Humidity	5%-95% RH, non-condensing
Operating Temperature	Standard: 0°C to 70°C, Industrial: -40°C to 85°C
MTBF	1.5M hrs
Security (Optional)	TCG OPAL 2.0 Compliant
Technologies	LDPC ECC, Thermal Throttling, SLC Cache, Wear Leveling, S.M.A.R.T. Bad block management, End-to-end data protection, TRIM command.

Features

- AES-256-bit Encryption & TCG-OPAL 2.0 Compliant*
- Support DEVSLP Mode*
- Low Power Consumption
- Power Failure Protection*
- LDPC with RAID ECC
- Thermal Protection Mechanism
- SMART Toolbox for SSD health monitoring
- End to end data protection
- Wide-temperature support: -40°C to 85°C

* It's optional function and support by specific firmware



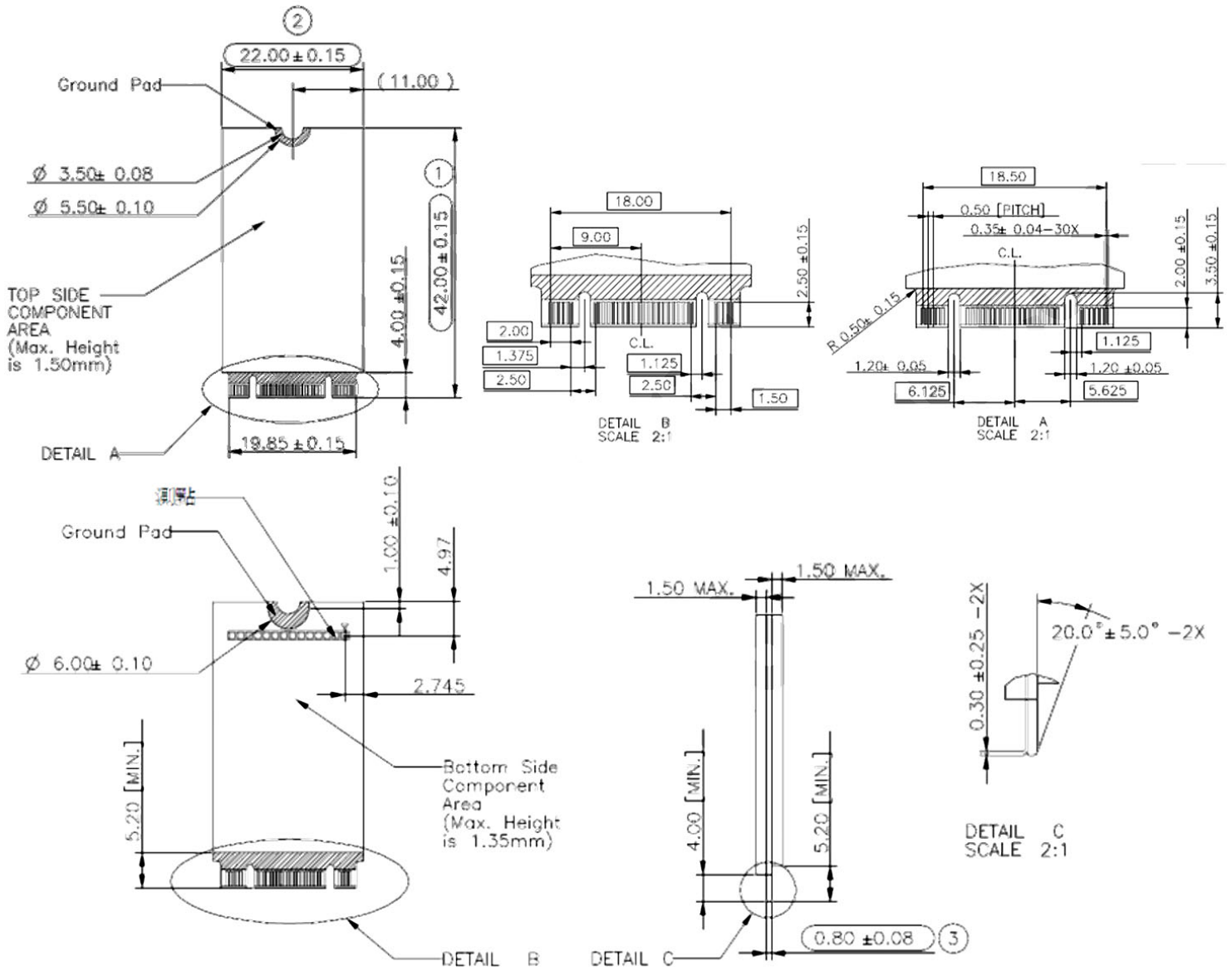
TCG OPAL	Secure Erase	Crypto Erase	Power Failure Protection	DEVSLP Mode	ToolBox	Advance Thermal Solution
○	●	○	○	○	●	○

● Default Implemented ○ On Request - Not Available



Dimensions

• 42.00mm (L) x 22mm (W) x 1.35 mm (H)



Ordering Information

Capacity	Commercial (0°C~70°C)	Industrial (-40°C~+85°C)
240GB	ad240GBE24BTC	ad240GBE24BTA
480GB	ad480GBE24BTC	ad480GBE24BTA



Headquarters
6F, No.300, Ruiguang Rd., Neihu Dist.,
Taipei City 114, Taiwan

Contact US
Email :Sales@addlink.com.tw
Phone:886-2-8797 3116



Website