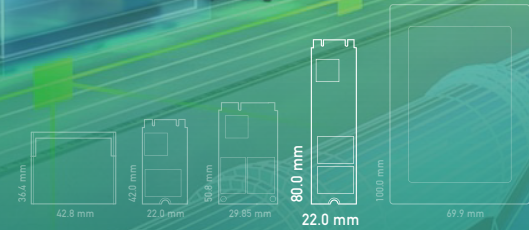


# E25A

- Surveillance / Edge AI • Smart Retail • Military/ Defense
- Gaming • Healthcare



## SATA III 6Gb/s | M.2 2280

addlink E25A M.2 2280 SATAIII SSDs use an industrial grade controller equipped with 112 Layer 3D TLC (BICS5) NAND flash to deliver low power consumption and high-performance SSD, making it the best industrial storage solution for embedded system. addlink E25A supports the latest LDPC ECC, advanced wear leveling, End-to-End data protection, and over-provision technology. It also optional support three low power consumption modes to ensure SSD can extended battery life efficiently. The E25A SSD is available in 64GB to 512GB capacities and comes with addlink's Toolbox software for easy management and real-time monitoring. It is an ideal solution for factory automation, smart retail, military, gaming, and healthcare applications.

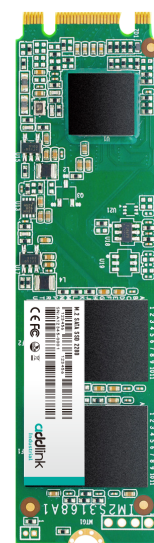
## Features

- Support DEVSLP Mode\*
- Low Power Consumption (Max. Read/Write <1.32W)
- LDPC with RAID ECC
- Thermal Protection Mechanism
- SMART Toolbox for SSD health monitoring
- End to end data protection
- Wide-temperature support: -40°C to 85°C

\* It's optional function and support by specific firmware

## Specifications

Form Factor / Interface	M.2 2280 / SATA III
Connector	M.2 with B+M Key SATA Pin-out
Flash	3D TLC
Capacity	64GB~512GB
Sequential Read/Write (up to)	R: 550 MB/s, W: 495 MB/s
Random Read/Write (up to)	R: 70k IOPS, W: 85k IOPS
Supply (V)	3.3V + -5%
Max. Endurance	355 TBW (512GB)
Max. Power Consumption (R/W)	1.075/1.18W
Max. Idle Power Consumption	0.2W
Shock / Vibration	1500G0-P/0.5ms duration, 20Hz~80Hz/1.52mm 80Hz~2000Hz/20G
Operating Humidity	5%-95% RH, non-condensing
Operating Temperature	Standard: 0°C to 70°C, Industrial: -40°C to 85°C
MTBF	2M hrs
Technologies	LDPC ECC, Thermal Throttling, SLC Cache, Wear Leveling, S.M.A.R.T. End-to-end data protection, Bad block management, TRIM command.



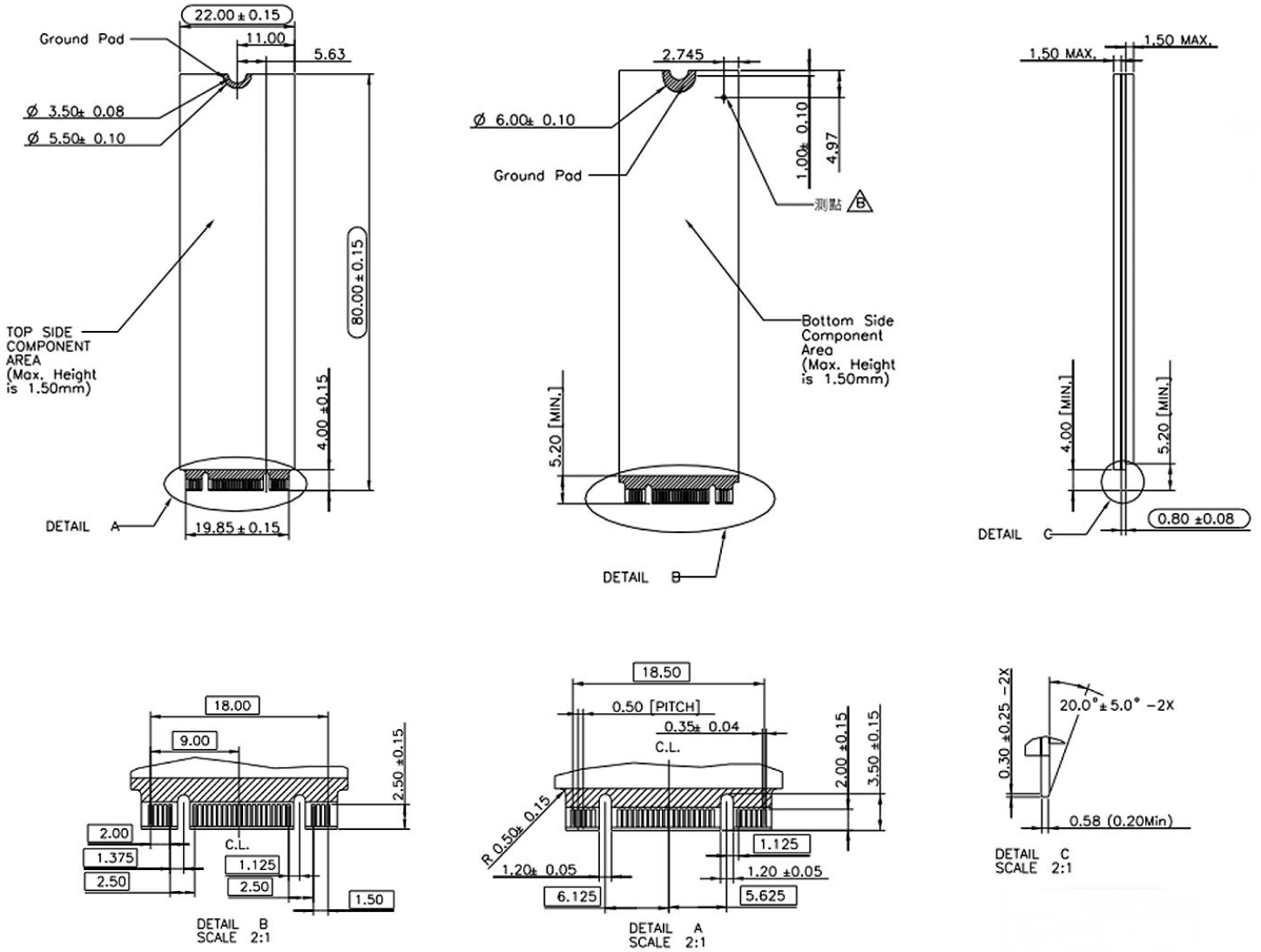
Write Protect	Secure Erase	Destroy Erase	ToolBox	Advance Thermal Solution	DEVSLP Mode
○	●	○	●	○	○

● Default Implemented ○ On Request - Not Available



# Dimensions

- 80.00mm (L) x 22mm (W) x 1.35 mm (H)



# Ordering Information

Capacity	Commercial (0°C~70°C)	Industrial (-40°C~+85°C)
64GB	ad64GBE25ATC	ad64GBE25ATA
128GB	ad128GBE25ATC	ad128GBE25ATA
256GB	ad256GBE25ATC	ad256GBE25ATA
512GB	ad512GBE25ATC	ad512GBE25ATA

