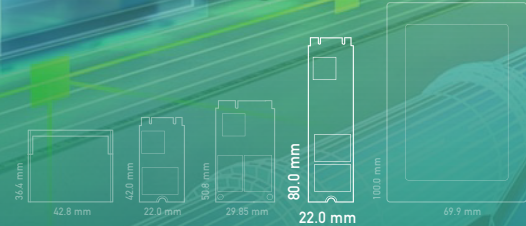


E25C

- Surveillance / Edge AI • Factory Automation • Smart Retail
- Military / Defense • Gaming • Healthcare



SATA III 6Gb/s | M.2 2280

addlink E25C M.2 2280 SATAIII SSDs use industrial grade controller and is equipped with 112 Layer 3D TLC (BICS5) NAND flash to deliver low power consumption and high-performance SSD, making it a best industrial storage solution for embedded system. addlink E25C is compliant with TCG OPAL for data security and supports the latest LDPC ECC, advanced wear leveling, and over-provision technology. It also optionally supports three low power consumption modes to ensure SSD can extend battery life efficiently. The E25C SSD is available in 64GB to 2TB capacities and comes with addlink's Toolbox software for easy management and real-time monitoring. It is an ideal solution for surveillance, edge AI, factory automation, smart retail, military, gaming, and healthcare applications.

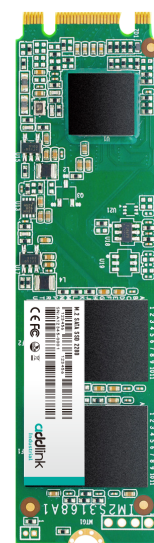
Specifications

Form Factor / Interface	M.2 2280 / SATA III
Connector	7 + 15 pin SATA
DRAM / Flash	3D TLC
Capacity	64GB~2048GB
Sequential Read/Write (up to)	R: 550 MB/s, W: 510 MB/s
Random Read/Write (up to)	R: 36.5k IOPS, W: 57.5k IOPS
Supply (V)	5V + -5%
Max. Endurance	2,900 TBW (2TB)
Max. Power Consumption (R/W)	1.5/1.8 W
Max. Idle Power Consumption	0.21W
Shock / Vibration	1500G0-P/0.5ms duration, 20Hz~80Hz/1.52mm 80Hz~2000Hz/20G
Operating Humidity	5%-95% RH, non-condensing
Operating Temperature	Standard: 0°C to 70°C, Industrial: -40°C to 85°C
MTBF	3M hrs
Security (Optional)	TCG OPAL 2.0 Compliant
Technologies	LDPC ECC, Thermal Throttling, SLC Cache, Wear Leveling, Bad block management, TRIM command, S.M.A.R.T.

Features

- AES-256-bit Encryption & TCG-OPAL 2.0 Compliant*
- Support DEVSLP Mode
- Low Power Consumption (Max. Read/Write <1.75W)
- LDPC with RAID ECC
- Thermal Protection Mechanism
- SMART Toolbox for SSD health monitoring
- Wide-temperature support: -40°C to 85°C

* It's optional function and support by specific firmware



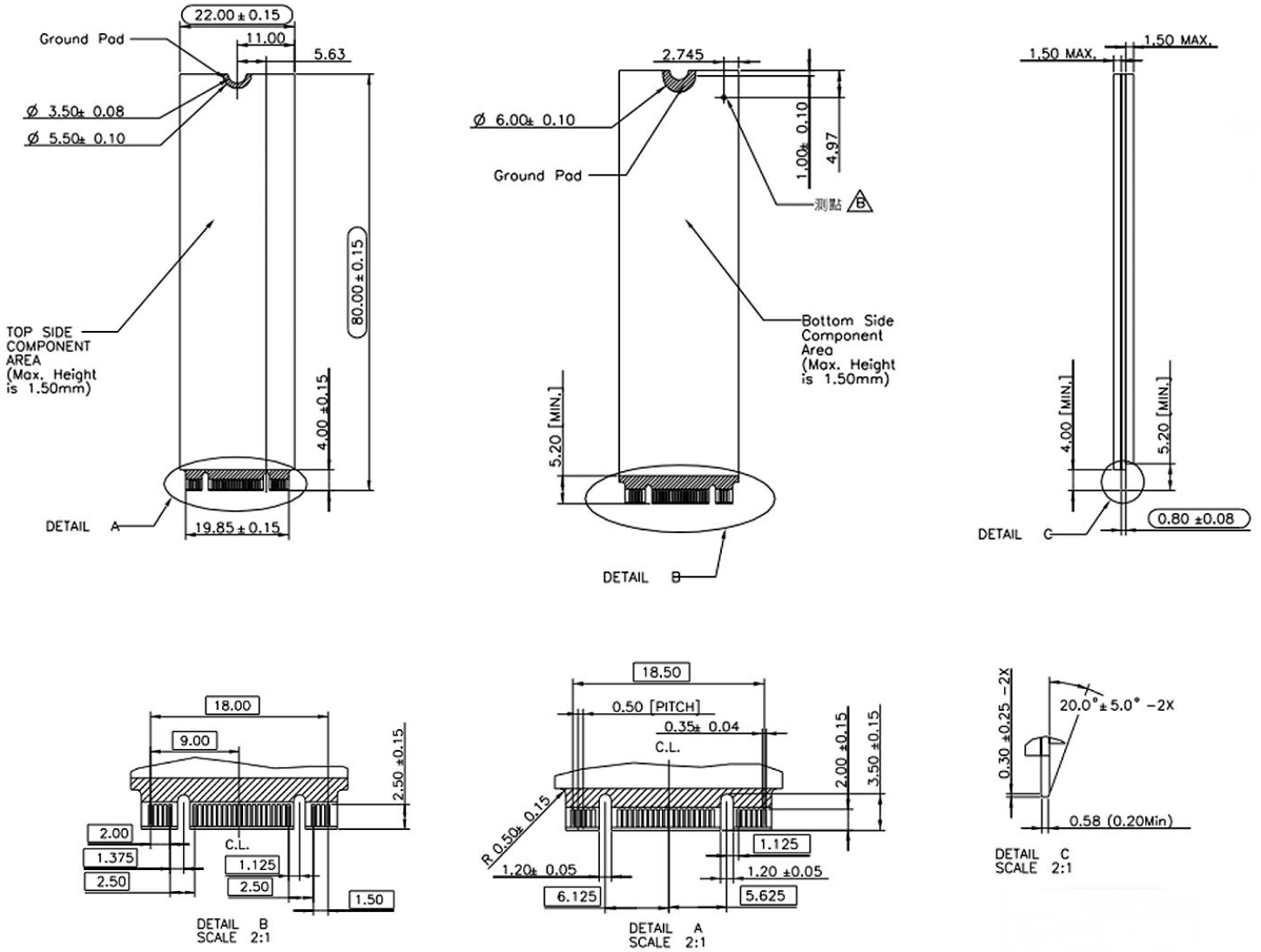
TCG OPAL	Write Protect	Secure Erase	Crypto Erase	ToolBox	Advance Thermal Solution	DEVSLP Mode	Destroy Erase
○	○	●	○	●	○	○	○

● Default Implemented ○ On Request - Not Available



Dimensions

- 80.00mm (L) x 22mm (W) x 1.35 mm (H)



Ordering Information

Capacity	Commercial (0°C~70°C)	Industrial (-40°C~+85°C)
64GB	ad64GBE25CTC	ad64GBE25CTA
128GB	ad128GBE25CTC	ad128GBE25CTA
256GB	ad256GBE25CTC	ad256GBE25CTA
512GB	ad512GBE25CTC	ad512GBE25CTA
1TB	ad1TBE25CTC	ad1TBE25CTA
2TB	ad2TBE25CTC	ad2TBE25CTA



Headquarters
 6F, No.300, Ruiguang Rd., Neihu Dist.,
 Taipei City 114, Taiwan

Contact US
 Email :Sales@addlink.com.tw
 Phone:886-2-8797 3116



Website