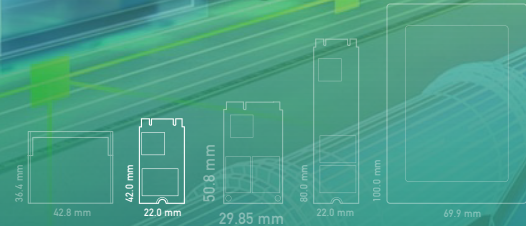


# E24C

- Surveillance / Edge AI • Factory Automation • Smart Retail
- Military / Defense • Gaming • Healthcare



## SATA III 6Gb/s | M.2 2242

addlink E24C M.2 2242 SATAIII SSDs use industrial grade controller and is equipped with 112 Layer 3D TLC (BICS5) NAND flash to deliver low power consumption and high-performance SSD, making it the best industrial storage solution for embedded system. addlink E24C is compliant with TCG OPAL for data security and supports the latest LDPC ECC, advanced wear leveling, and over-provision technology. It also optionally supports three low power consumption modes to ensure SSD can extend battery life efficiently. The E24C SSD is available in 64GB to 1TB capacities and comes with addlink's Toolbox software for easy management and real-time monitoring. It is an ideal solution for surveillance, edge AI, factory automation, smart retail, military, gaming and healthcare applications.

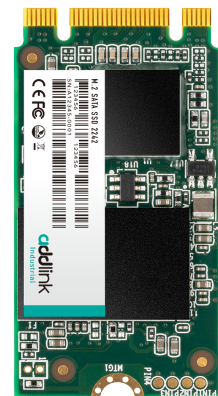
## Specifications

Form Factor / Interface	M.2 2242 / SATA III
Connector	M.2 with B+M Key SATA Pin-out
Flash	3D TLC
Capacity	64GB~1024GB
Sequential Read/Write (up to)	R: 550 MB/s, W:500 MB/s
Random Read/Write (up to)	R: 36.5k IOPS, W: 57.5k IOPS
Supply (V)	3.3V + -5%
Max. Endurance	1,080 TBW (1TB)
Max. Power Consumption (R/W)	1.2/1.4W
Max. Idle Power Consumption	0.195W
Shock / Vibration	1500G0-P/0.5ms duration, 20Hz~80Hz/1.52mm 80Hz~2000Hz/20G
Operating Humidity	5%-95% RH, non-condensing
Operating Temperature	Standard: 0°C to 70°C, Industrial: -40°C to 85°C
MTBF	3M hrs
Security (Optional)	TCG OPAL 2.0 Compliant
Technologies	LDPC ECC, Thermal Throttling, SLC Cache, Wear Leveling, Bad block management, TRIM command, S.M.A.R.T.

## Features

- AES-256-bit Encryption & TCG-OPAL 2.0 Compliant\*
- Support DEVSLP Mode\*
- Low Power Consumption (Max. Read/Write <1.4W)
- LDPC with RAID ECC
- Thermal Protection Mechanism
- SMART Toolbox for SSD health monitoring
- Wide-temperature support: -40°C to 85°C

\* It's optional function and support by specific firmware



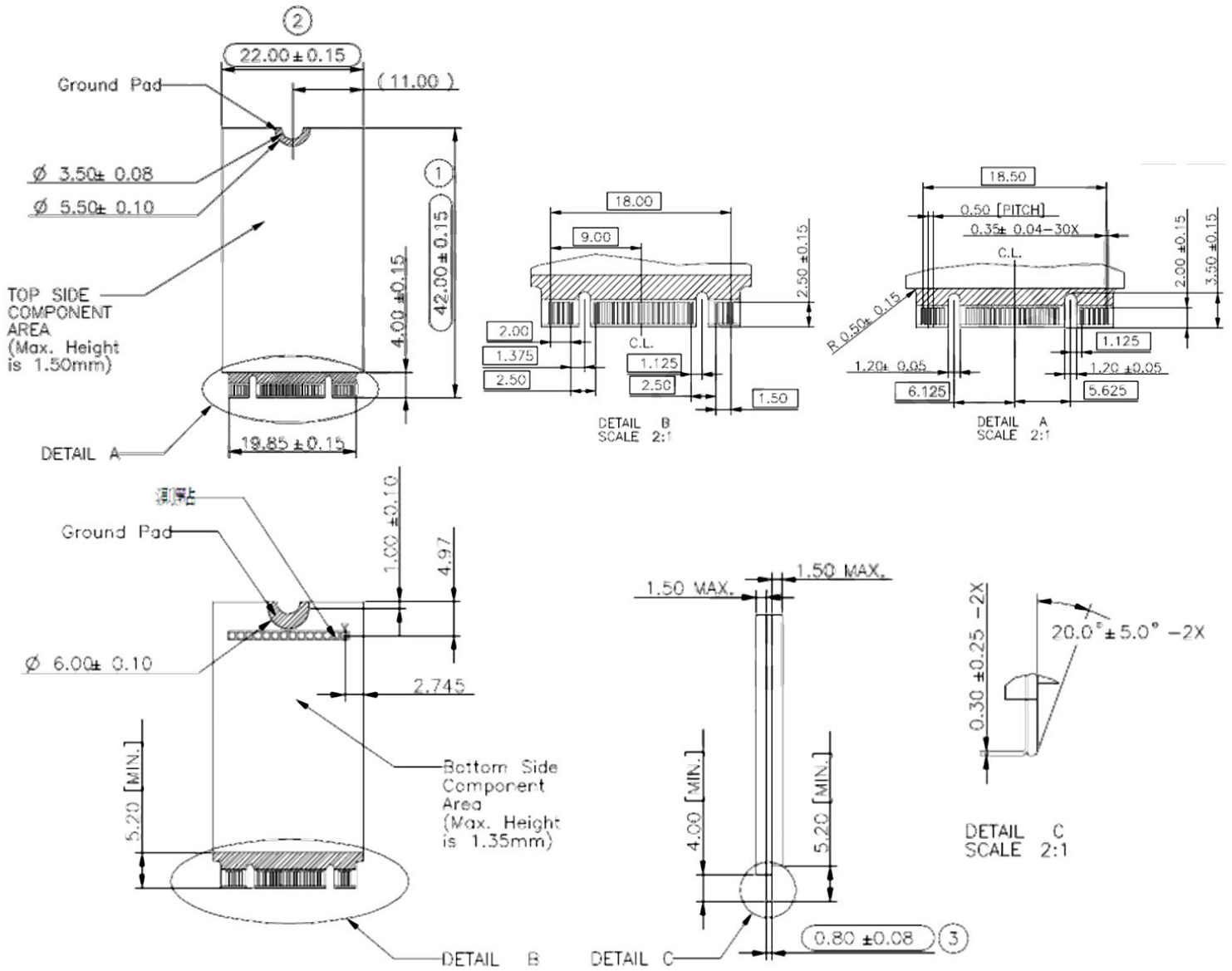
TCG OPAL	Write Protect	Secure Erase	Crypto Erase	Destroy Erase	DEVSLP Mode	ToolBox	Advance Thermal Solution
○	○	●	○	○	○	●	○

● Default Implemented ○ On Request - Not Available



# Dimensions

• 42.00mm (L) x 22mm (W) x 1.35 mm (H)



# Ordering Information

Capacity	Commercial (0°C~70°C)	Industrial (-40°C~+85°C)
64GB	ad64GBE24CTC	ad64GBE24CTA
128GB	ad128GBE24CTC	ad128GBE24CTA
256GB	ad256GBE24CTC	ad256GBE24CTA
512GB	ad512GBE24CTC	ad512GBE24CTA
1TB	ad1TBE24CTC	ad1TBE24CTA



**Headquarters**  
6F, No.300, Ruiguang Rd., Neihu Dist.,  
Taipei City 114, Taiwan

**Contact US**  
Email :Sales@addlink.com.tw  
Phone:886-2-8797 3116



Website