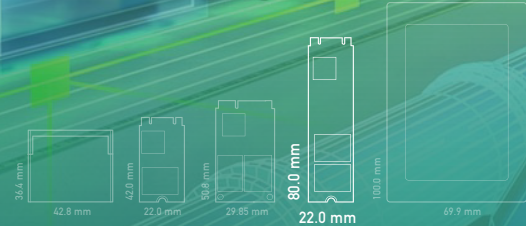


E25B

- Factory Automation • Smart Retail • Military / Defense
- Gaming • Healthcare



SATA III 6Gb/s | M.2 2280

addlink E25B M.2 2280 SATAIII SSDs use industrial grade controller and is equipped with 112 Layer 3D TLC (BICS5) NAND flash to deliver performance with sequential read/write speed of up to 550/530 MB per second, making it a best industrial storage solution for embedded system. addlink E25B is compliant with TCG OPAL for data security. It also supports the latest LDPC ECC, advanced wear leveling, end-to-end data protection, power failure protection, and over-provision technology to ensure data accuracy and integrity for a longer SSD lifetime. The E25B SSD is available in 240GB to 1920GB capacities and comes with addlink's Toolbox software for easy management and real-time monitoring. It is an ideal solution solution for factory automation, smart retail, military, gaming, and healthcare applications.

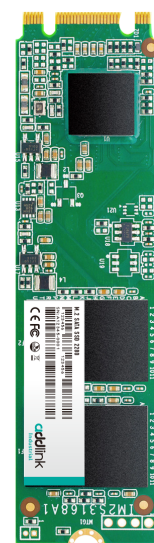
Specifications

Form Factor / Interface	M.2 2280 / SATA III
Connector	M.2 with B+M Key SATA Pin-out
DRAM / Flash	DDR4 / 3D TLC
Capacity	240GB~1920GB
Sequential Read/Write (up to)	R: 550 MB/s, W: 530 MB/s
Random Read/Write (up to)	R: 98k IOPS, W: 88k IOPS
Supply (V)	3.3V + -5%
Max. Endurance	3,259 TBW (1920GB)
Max. Power Consumption (R/W)	2/3W
Max. Idle Power Consumption	1.2W
Shock / Vibration	1500G0-P/0.5ms duration, 20Hz~80Hz/1.52mm 80Hz~2000Hz/20G
Operating Humidity	5%-95% RH, non-condensing
Operating Temperature	Standard: 0°C to 70°C, Industrial: -40°C to 85°C
MTBF	2M hrs
Security (Optional)	TCG OPAL 2.0 Compliant
Technologies	LDPC ECC, Thermal Throttling, SLC Cache, Wear Leveling, Bad block management, TRIM command, S.M.A.R.T.

Features

- AES-256-bit Encryption & TCG-OPAL 2.0 Compliant*
- Support DEVSPLP Mode*
- Low Power Consumption
- Power Failure Protection*
- LDPC with RAID ECC
- Thermal Protection Mechanism
- SMART Toolbox for SSD health monitoring
- End to end data protection
- Wide-temperature support: -40°C to 85°C

* It's optional function and support by specific firmware



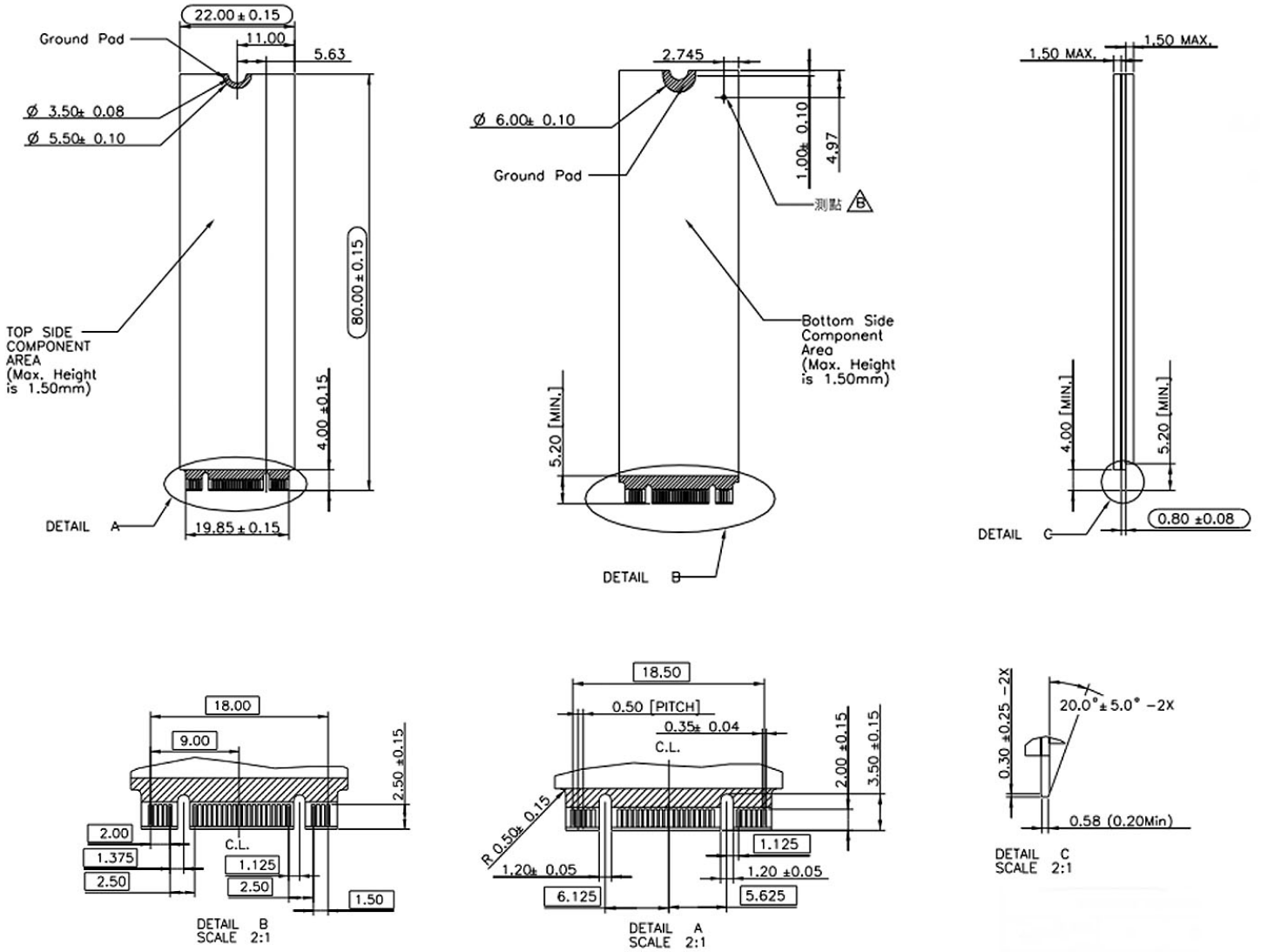
TCG OPAL	Write Protect	Quick Erase	Secure Erase	Crypto Erase	ToolBox	Advance Thermal Solution	Power Failure Protection	DEVSPLP Mode
○	○	○	●	○	●	○	○	○

● Default Implemented ○ On Request - Not Available



Dimensions

- 80.00mm (L) x 22mm (W) x 1.35 mm (H)



Ordering Information

Capacity	Commercial (0°C~70°C)	Industrial (-40°C~+85°C)
240GB	ad240GBE25BTC	ad240GBE25BTA
480GB	ad480GBE25BTC	ad480GBE25BTA
960GB	ad960GBE25BTC	ad960GBE25BTA
1920GB	ad1920GBE25BTC	ad1920GBE25BTA

